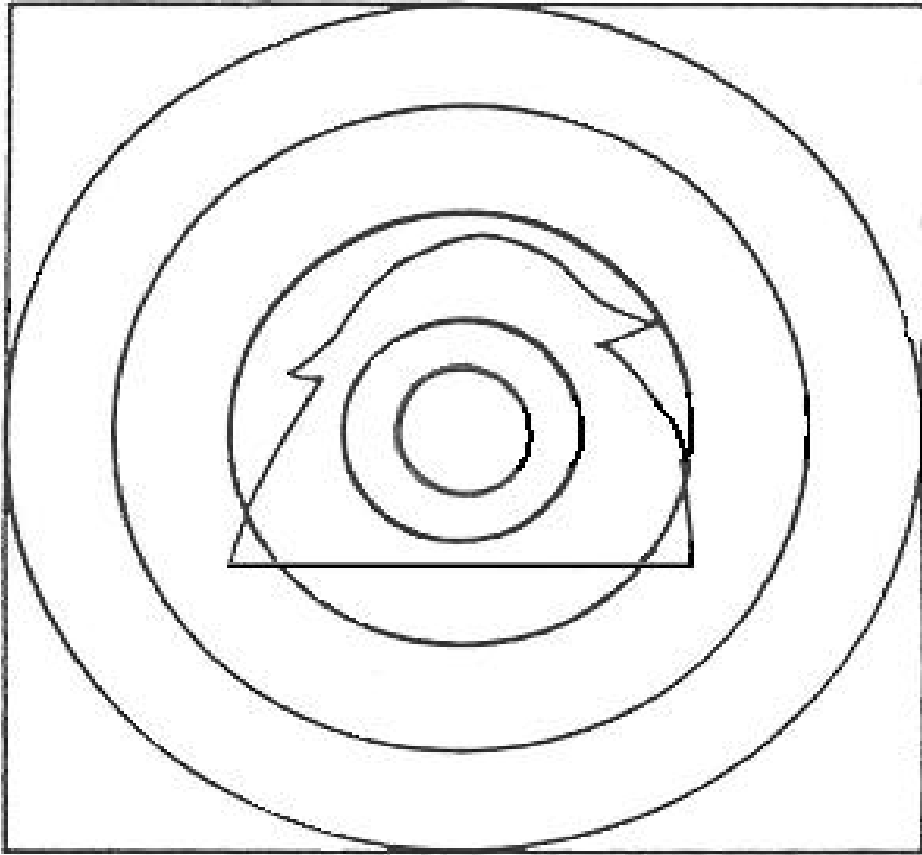


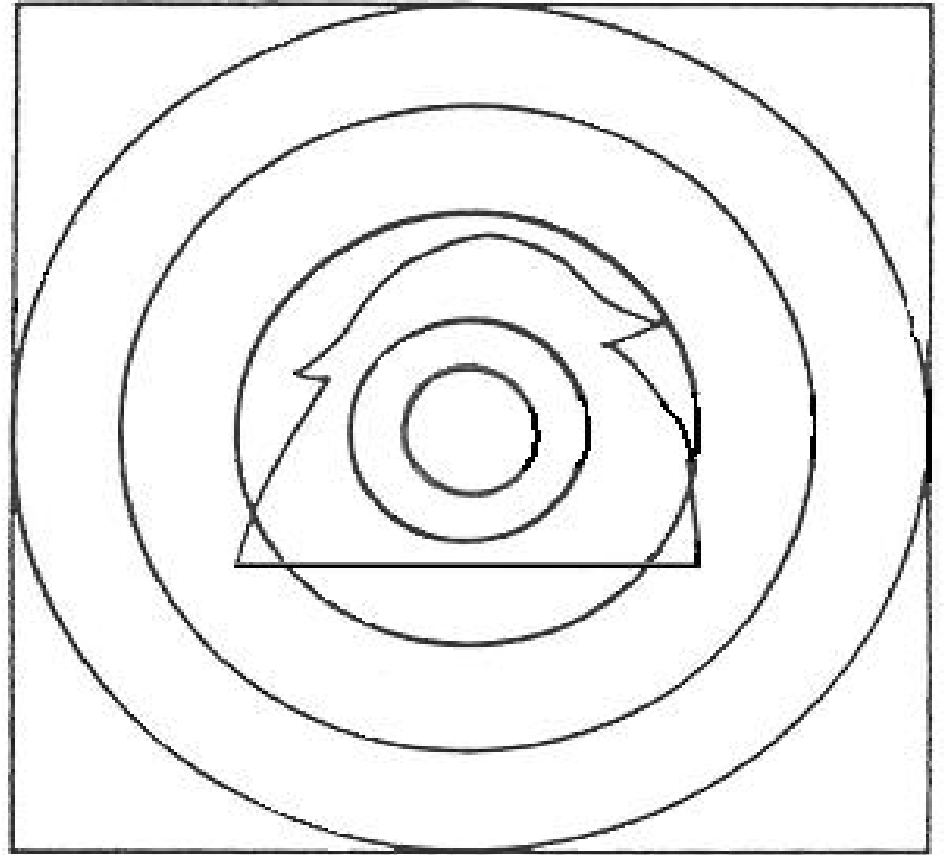
# NSW SSAA MILITARY/SERVICE RIFLE

Detail: \_\_\_\_\_ Position: \_\_\_\_\_ Date: \_\_\_\_\_



# NSW SSAA MILITARY/SERVICE RIFLE

Detail: \_\_\_\_\_ Position: \_\_\_\_\_ Date: \_\_\_\_\_



	V	5	4	3	2	1	SUB
00							
00							
00							
SCORER: .....	TOTAL						

	V	5	4	3	2	1	SUB
00							
00							
00							
SCORER: .....	TOTAL						